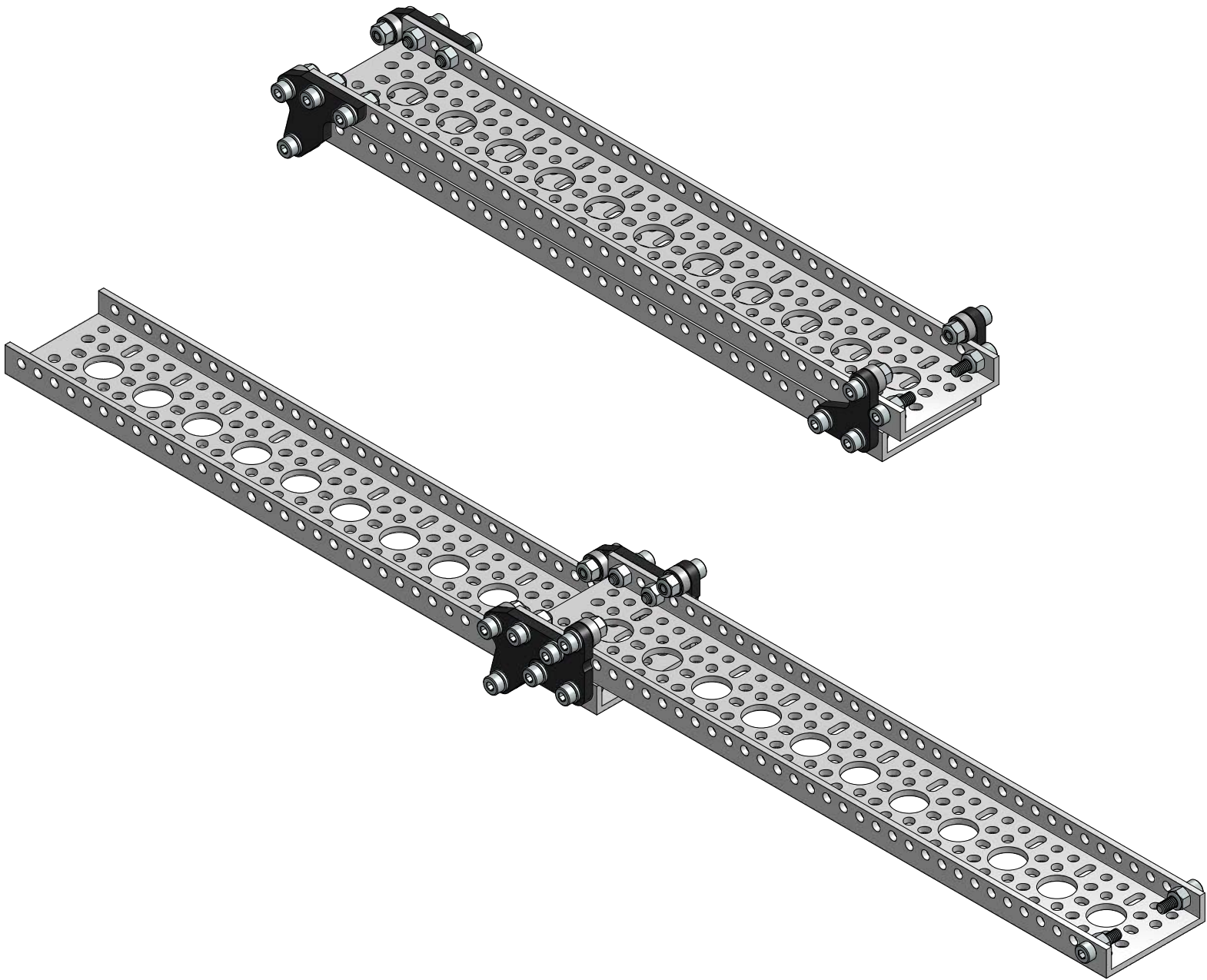


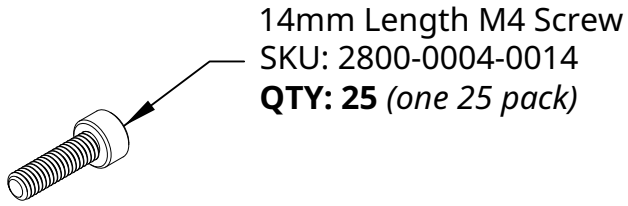
Assembly Instructions for
Ball Bearing Slide Pack
for 1121 Series Low-Side U-Channel

SKU: 3210-0001-0004

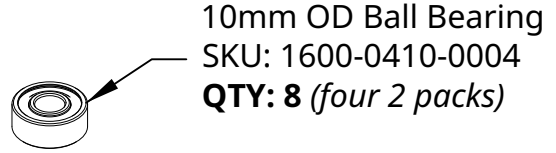


Channel Not Included

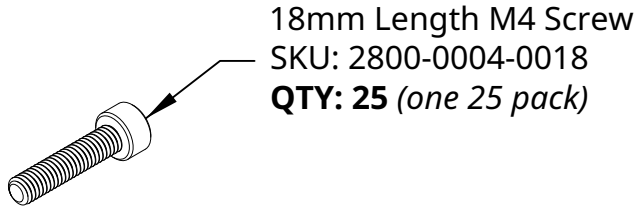
Kit Contents



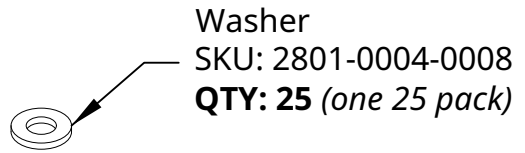
14mm Length M4 Screw
SKU: 2800-0004-0014
QTY: 25 (one 25 pack)



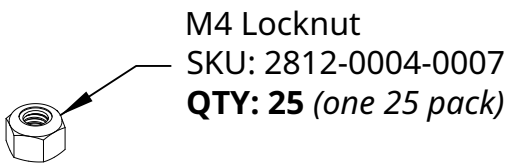
10mm OD Ball Bearing
SKU: 1600-0410-0004
QTY: 8 (four 2 packs)



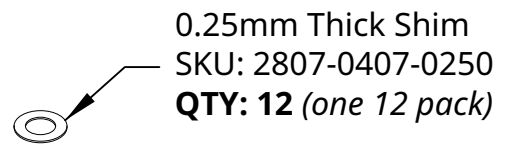
18mm Length M4 Screw
SKU: 2800-0004-0018
QTY: 25 (one 25 pack)



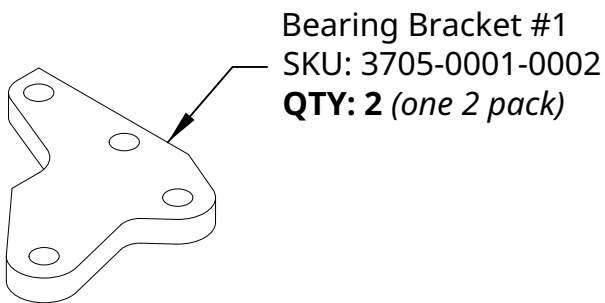
Washer
SKU: 2801-0004-0008
QTY: 25 (one 25 pack)



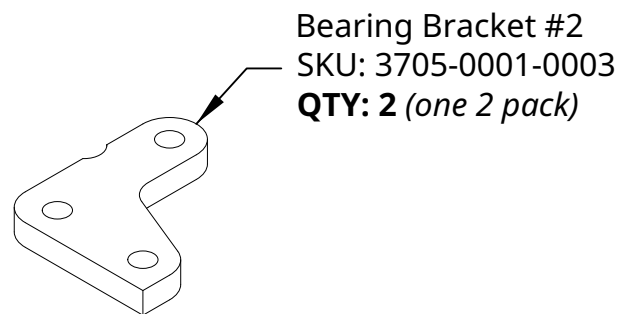
M4 Locknut
SKU: 2812-0004-0007
QTY: 25 (one 25 pack)



0.25mm Thick Shim
SKU: 2807-0407-0250
QTY: 12 (one 12 pack)



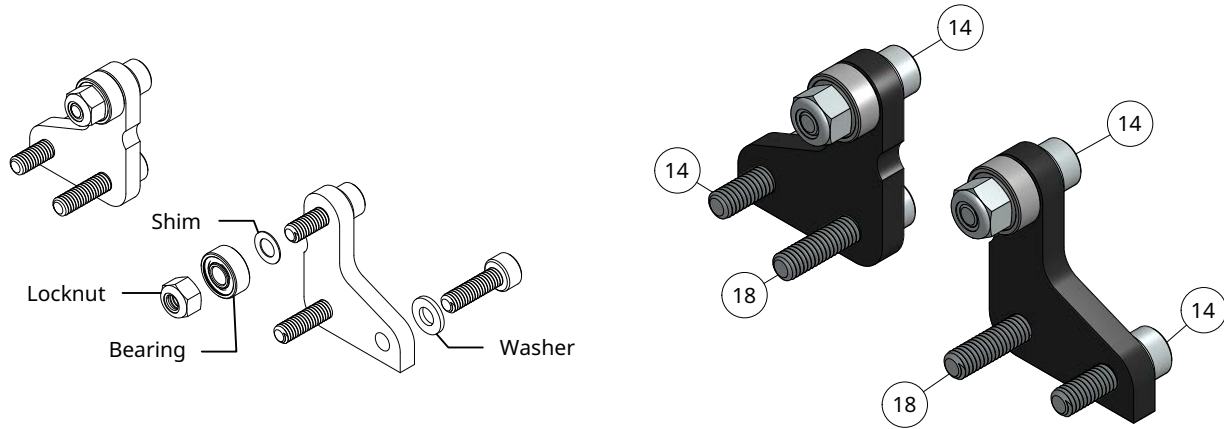
Bearing Bracket #1
SKU: 3705-0001-0002
QTY: 2 (one 2 pack)



Bearing Bracket #2
SKU: 3705-0001-0003
QTY: 2 (one 2 pack)

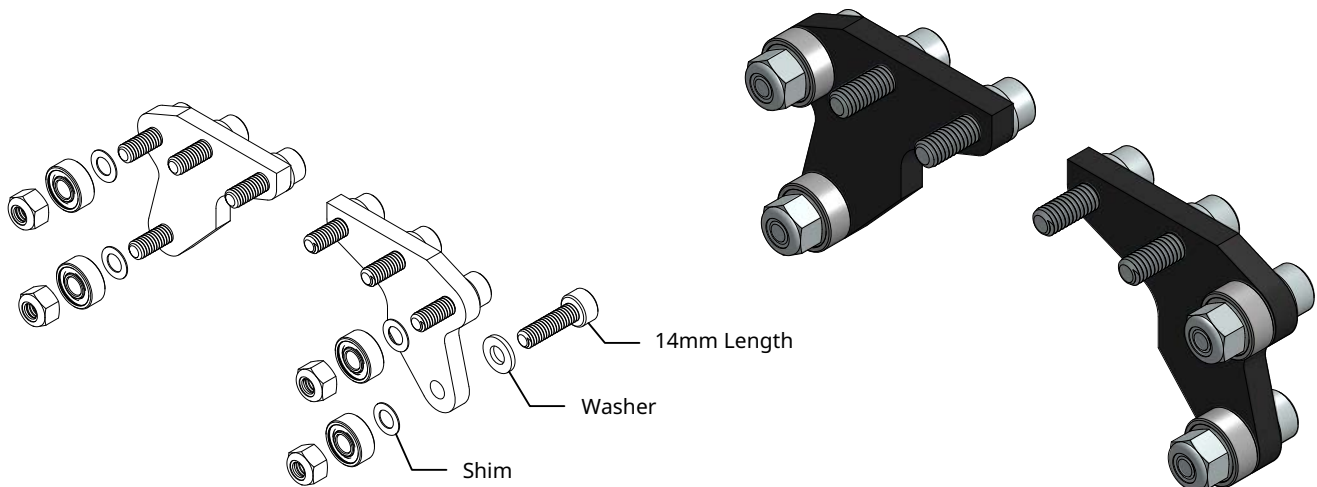
STEP 1

Using the two smaller brackets (Bearing Bracket #2) create the two mirrored assemblies shown below. The holes in the brackets are slightly undersized. This holds the screws in place during assembly. The screws lengths are called out in circles below. All screws in this step have a washer under the head. All bearings have a 0.25mm thick shim between them and the bracket.



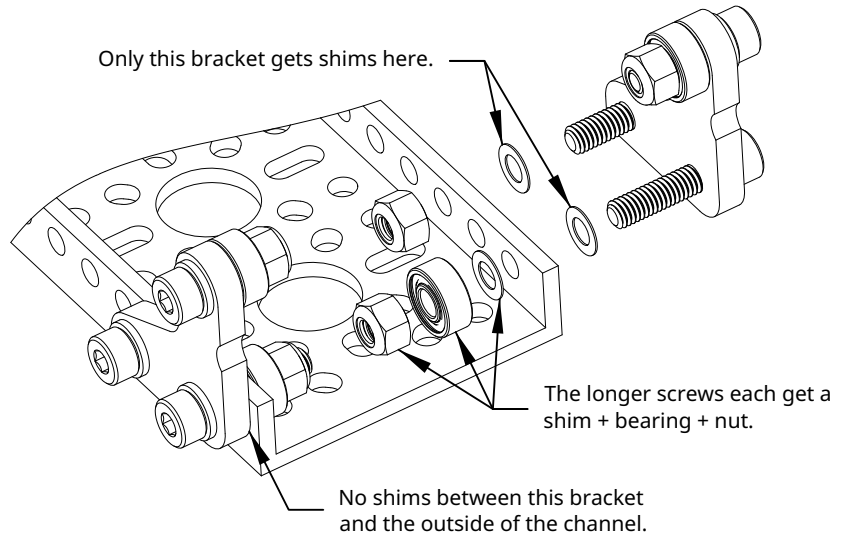
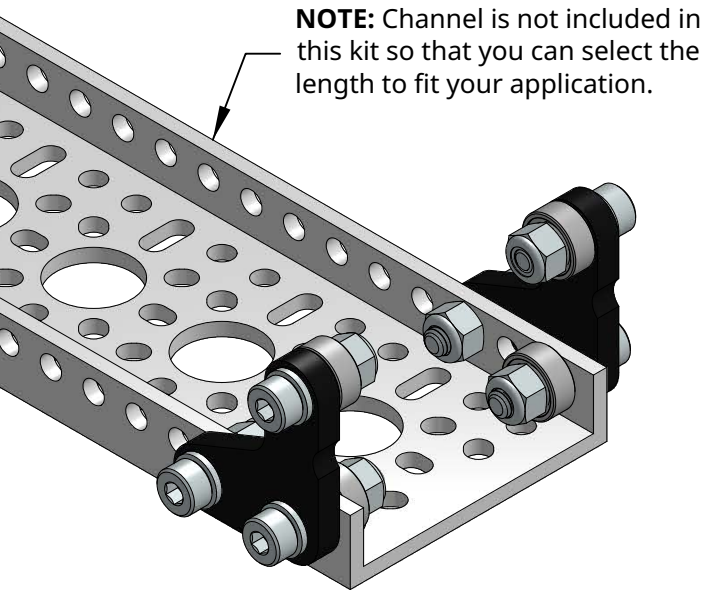
STEP 2

Using the two larger brackets (Bearing Bracket #1) create the two mirrored assemblies shown below. All screws in this step are 14mm length and have a washer under the head. All bearings have a 0.25mm thick shim between them and the bracket.



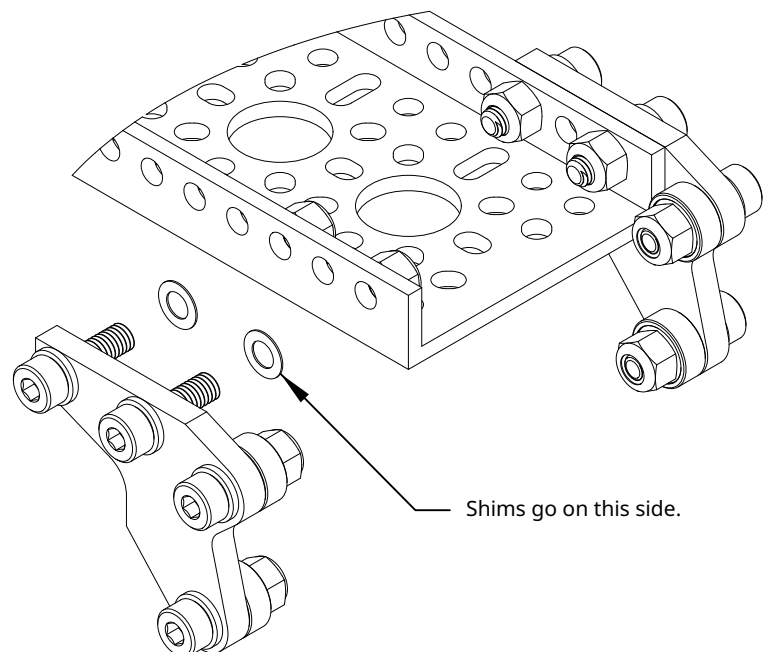
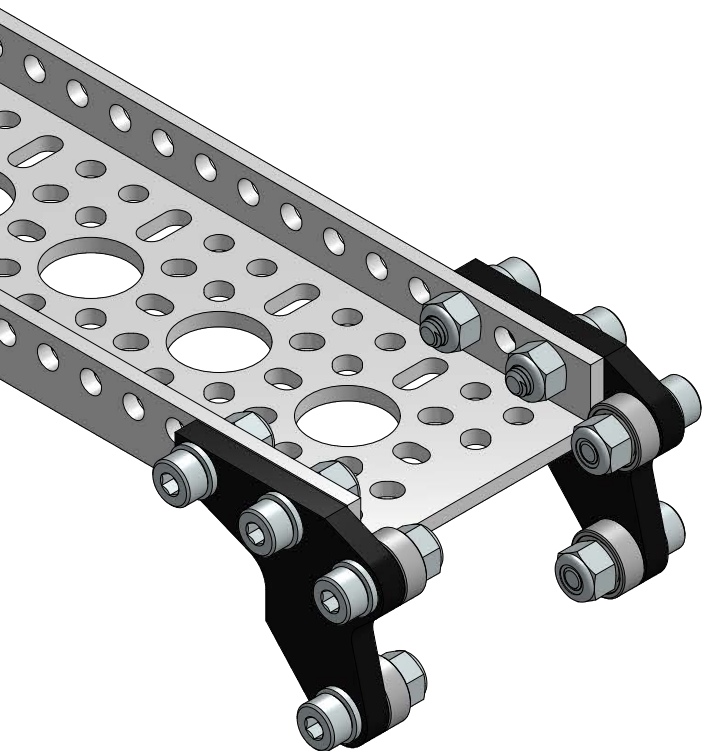
STEP 3

Using four locknuts, fasten the two smaller bracket assemblies from Step 1 to a piece of Low-Side U-Channel as shown. Note the longer screws near the end of the channel get a shim and a bearing. Also note that only one of the two brackets gets shims between it and the channel.



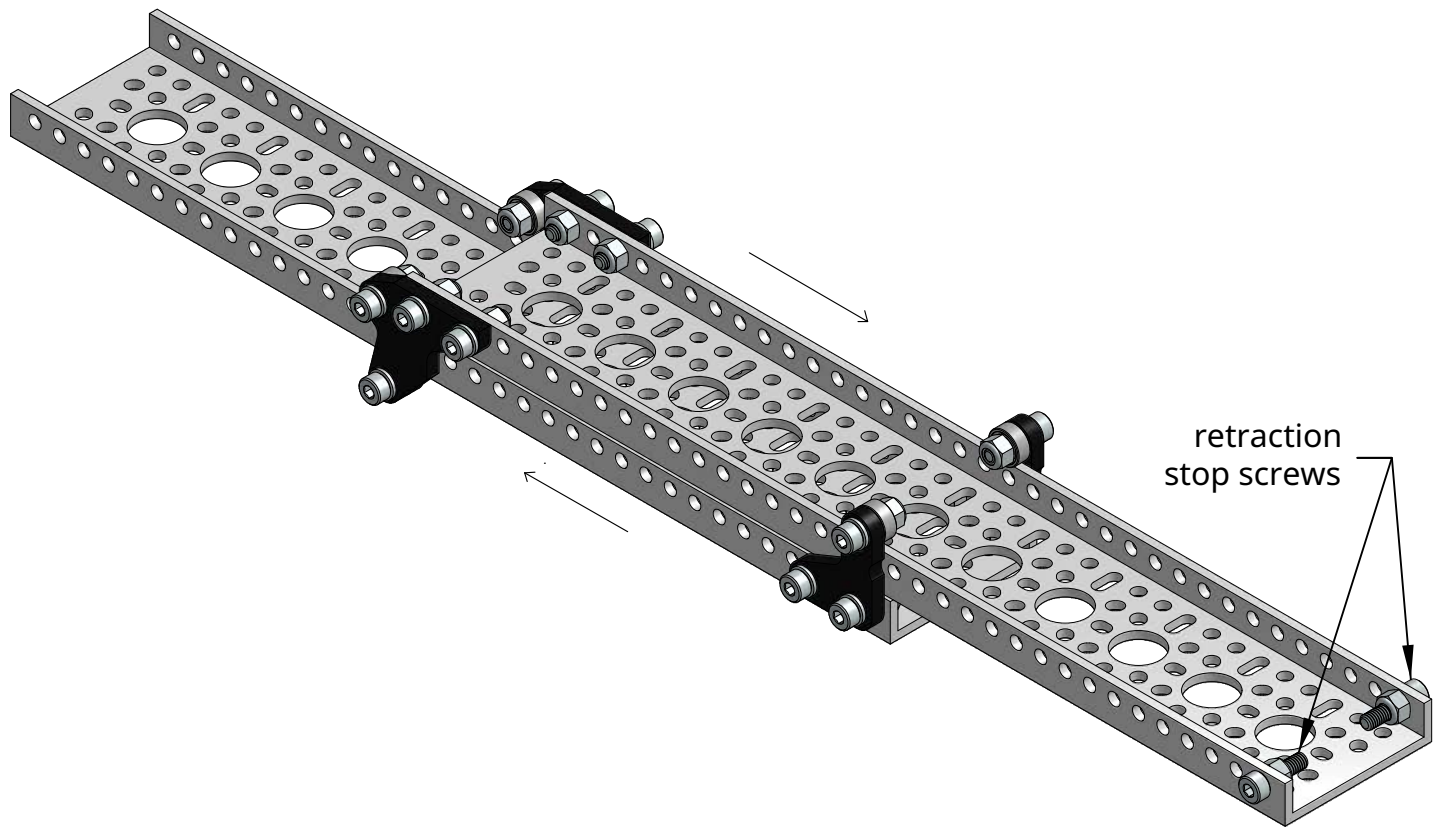
STEP 4

Using four locknuts, fasten the two larger bracket assemblies from Step 2 to a second piece of Low-Side U-Channel as shown. Like in the last step, only one bracket will get shims between it and the channel.



STEP 5

Slide the two main assemblies together as shown. Then add two screws (each with a locknut) at the end of the channel with the larger brackets as shown below. They act as retraction stops.



Congratulations!

Your slider is now fully assembled!