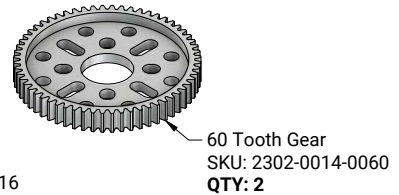
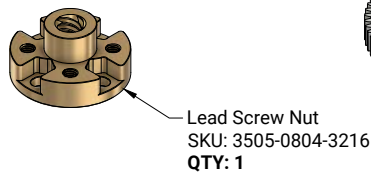
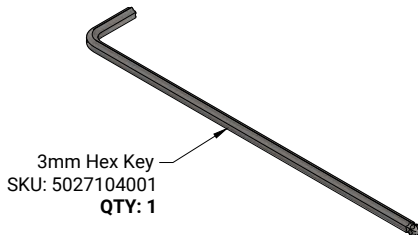
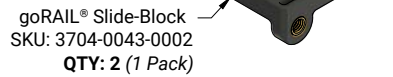
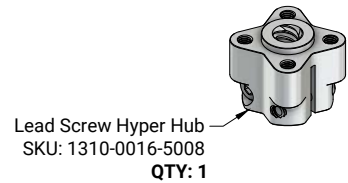
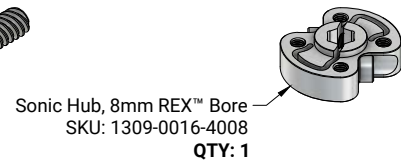
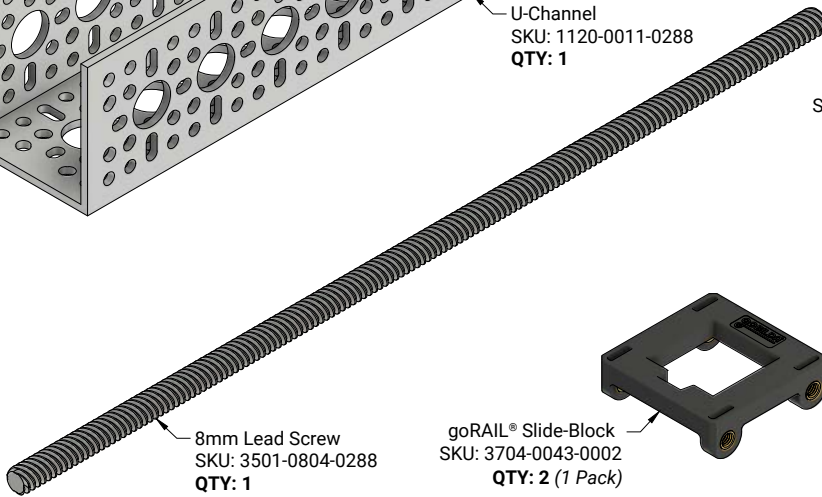
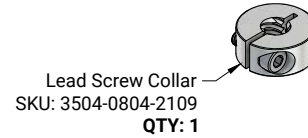
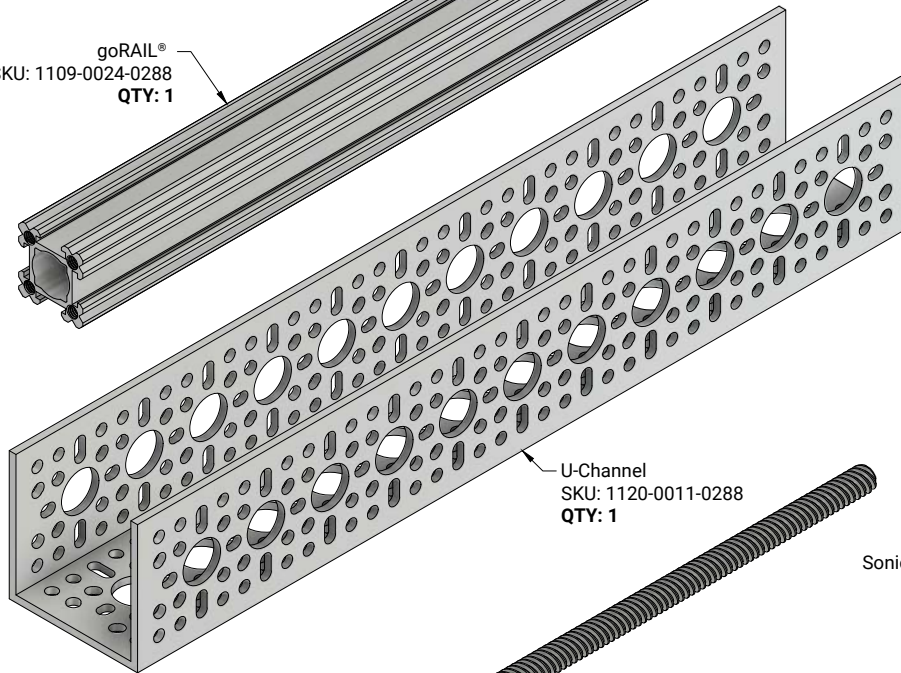
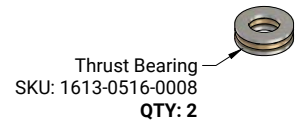
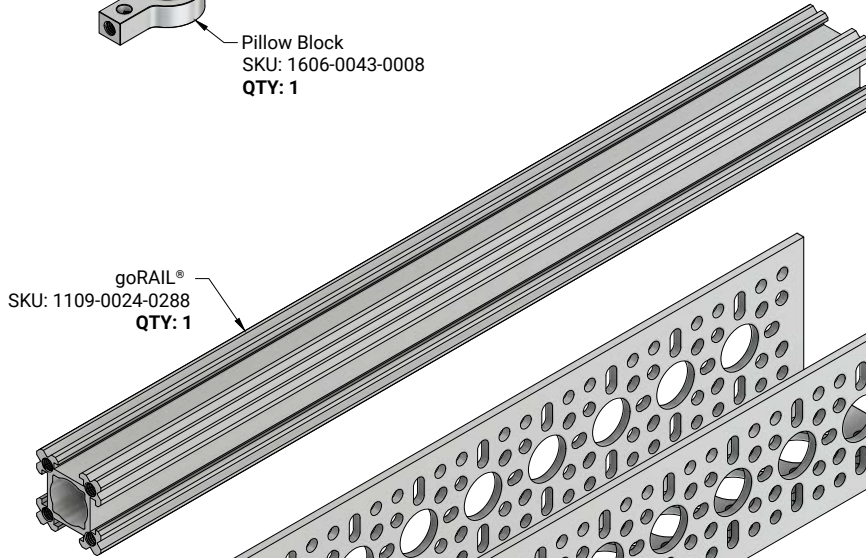
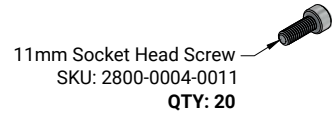
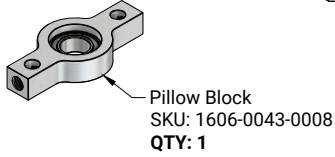
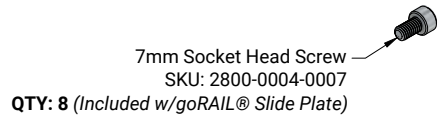
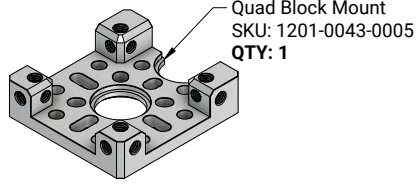




Assembly Instructions for
goBILDA® Linear Actuator Kit
SKU: 3212-0001-0001



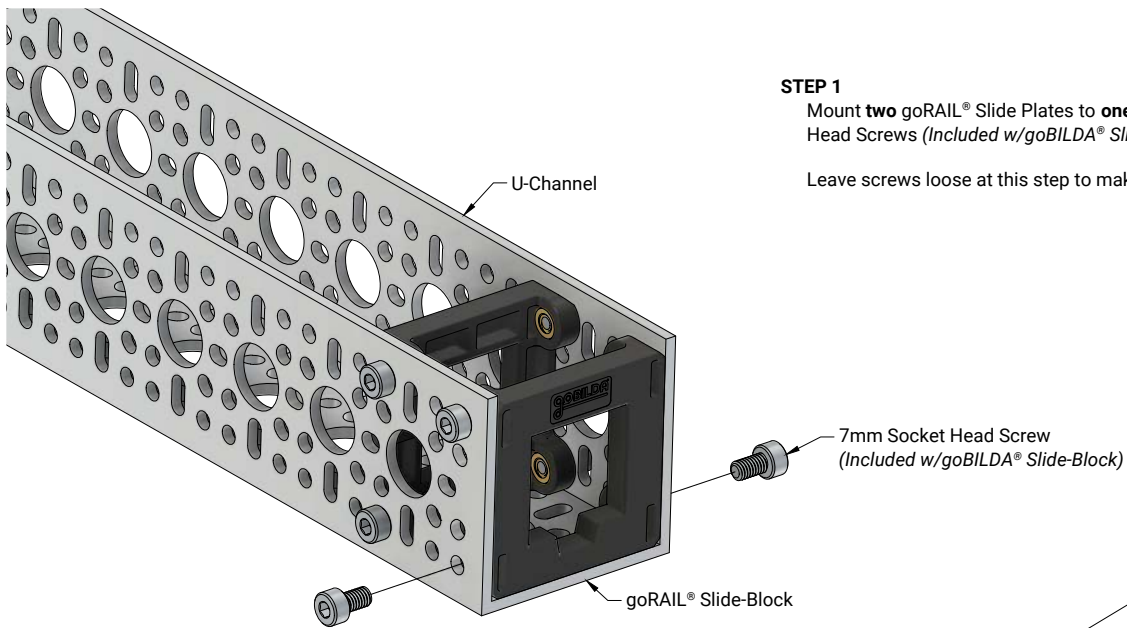
Kit Contents



STEP 1

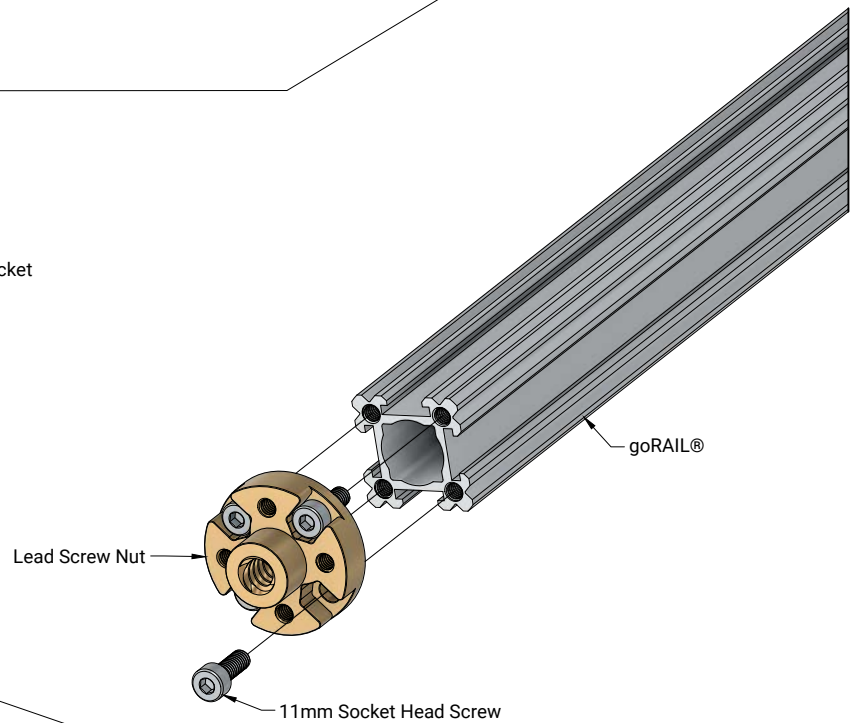
Mount **two** goRAIL® Slide Plates to **one** U-Channel using **eight** 7mm Socket Head Screws (Included w/goBILDA® Slide-Block) .

Leave screws loose at this step to make assembly easier.



STEP 2

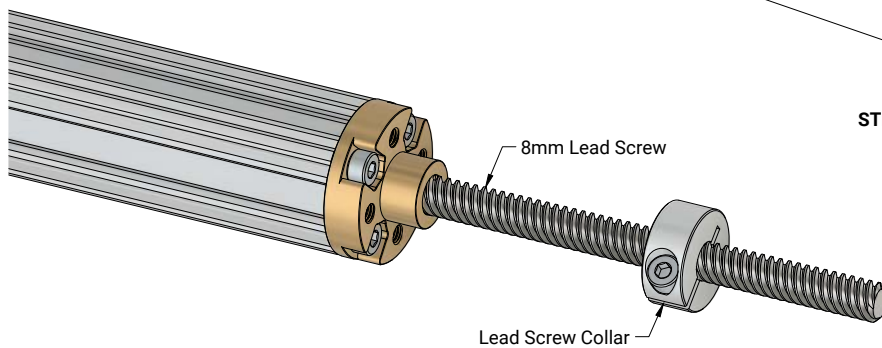
Attach **one** Lead Screw Nut to **one** goRAIL® using **four** 11mm Socket Head Screws as shown.



STEP 3

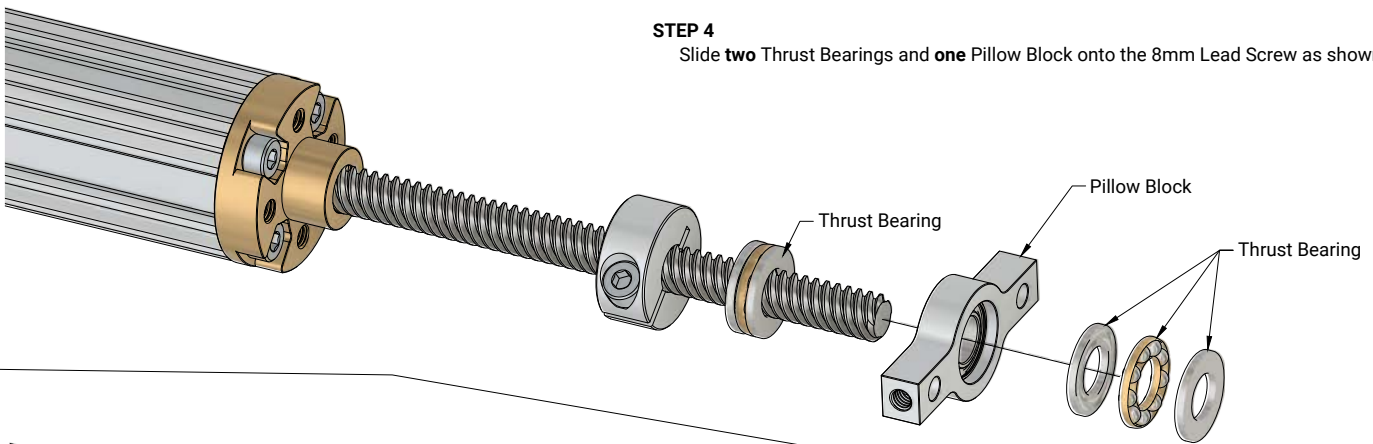
Thread **one** Lead Screw Collar onto **one** 8mm Lead Screw, then thread the 8mm Lead Screw into the Lead Screw Nut, as shown.

Leave Lead Screw Collar loose.



STEP 4

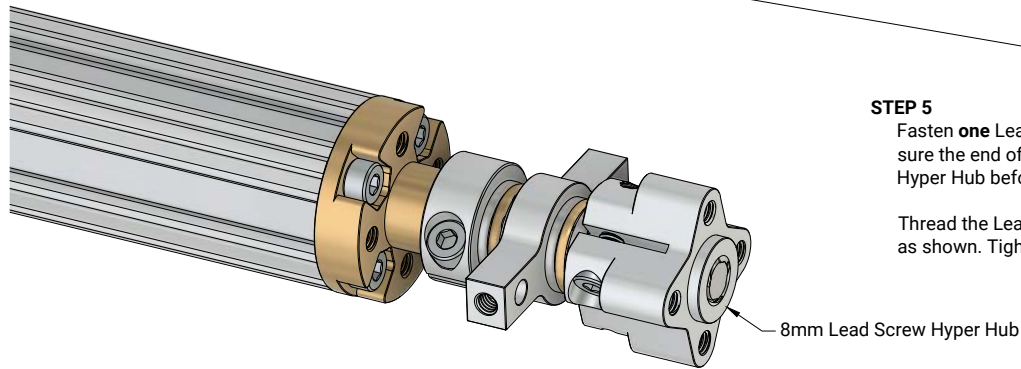
Slide **two** Thrust Bearings and **one** Pillow Block onto the 8mm Lead Screw as shown.



STEP 5

Fasten **one** Lead Screw Hyper Hub onto the Lead Screw. Make sure the end of the Lead Screw is flush with the Lead Screw Hyper Hub before tightening the pinch bolts.

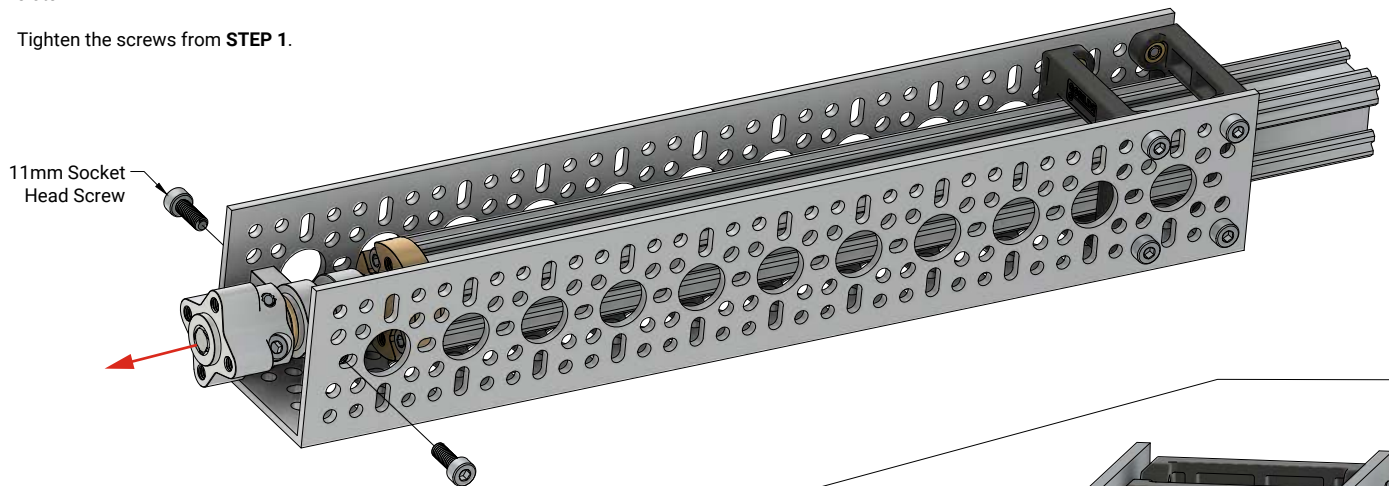
Thread the Lead Screw Collar firmly against the Thrust Bearings as shown. Tighten the Lead Screw Collar pinch bolt.



STEP 6

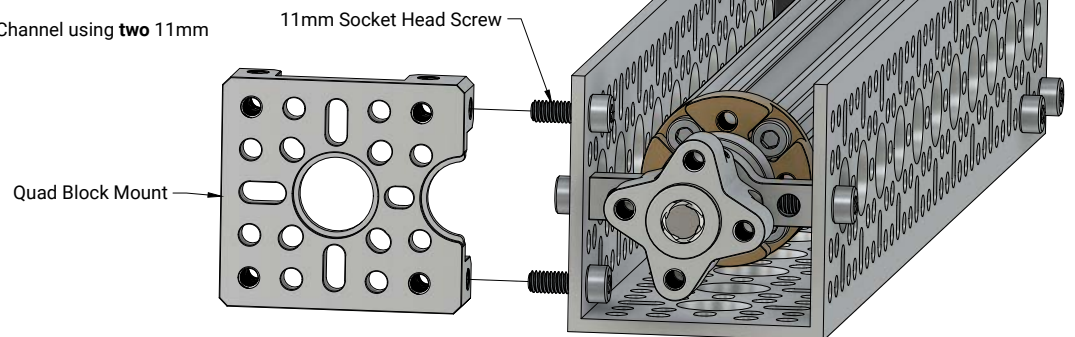
Slide the goRAIL® into the goRAIL® Slide-Block and attach the Pillow Block to the U-Channel using **two** 11mm Socket Head Screws. Be sure to pull the Lead Screw Hyper Hub to the end of the slots.

Tighten the screws from **STEP 1**.



STEP 7

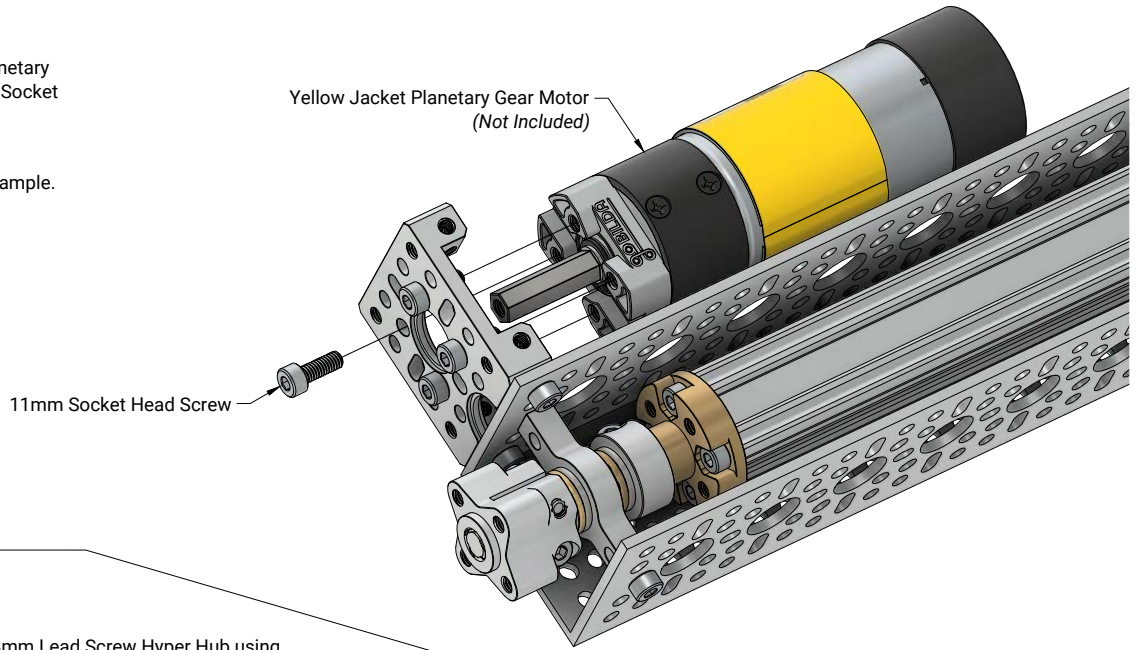
Attach **one** Quad Block Mount to the U-Channel using **two** 11mm Socket Head Screws as shown.



STEP 8:

Attach **one** Yellow Jacket Planetary Gear Motor using **four** 11mm Socket Head Screws as shown.

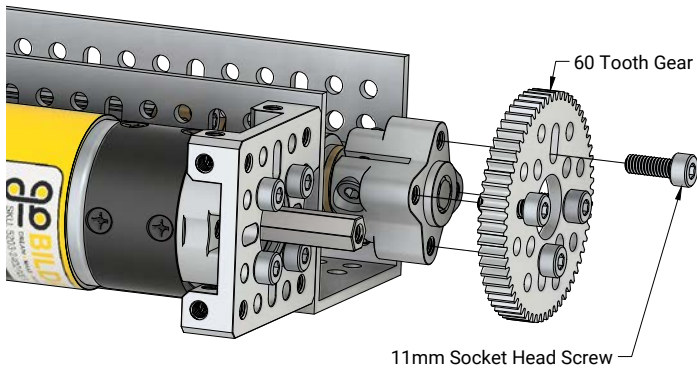
Note: Motor not included; 5203-2402-0005 shown as example.



STEP 9:

Mount **one** 60 Tooth Gear to the 8mm Lead Screw Hyper Hub using **four** 11mm Socket Head Screws as shown.

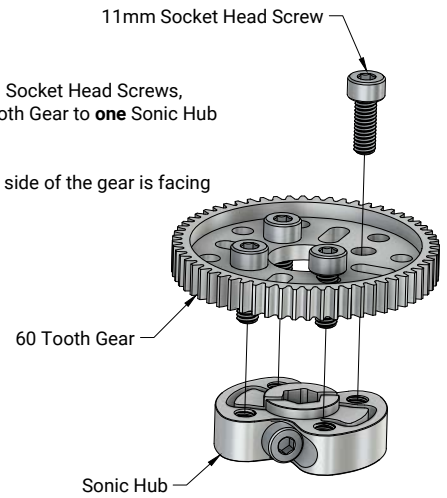
Note: Be sure flat side of the gear is facing away from the assembly.



STEP 10:

Using **four** 11mm Socket Head Screws, attach **one** 60 Tooth Gear to **one** Sonic Hub as shown.

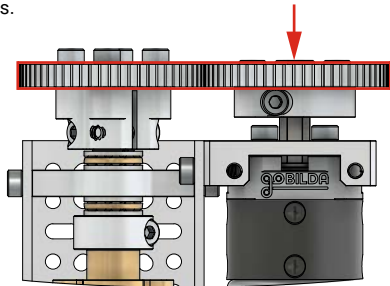
Note: Be sure flat side of the gear is facing the Sonic Hub.



STEP 11:

Slide the Sonic Hub onto the motor shaft and tighten the pinch bolts.

Note: Be sure the gears are aligned axially before tightening the pinch bolts.



Congratulations!

Your Linear Actuator Kit is now assembled! And while your new mechanism may create motion along a purely linear trajectory, your own creativity is boundless in all directions—stay aware that there's no limit to the reach of your imagination!